

## CC9092S-F iButton Reader (Clip Mounting)

(Compatible with Maxim's DS9092+ Probe)



The CC9092S-F iButton reader is fixing clip mounting probe which is designed for magnetic iButton but it is also compatible with standard non-magnetic iButtons.

### Feature:

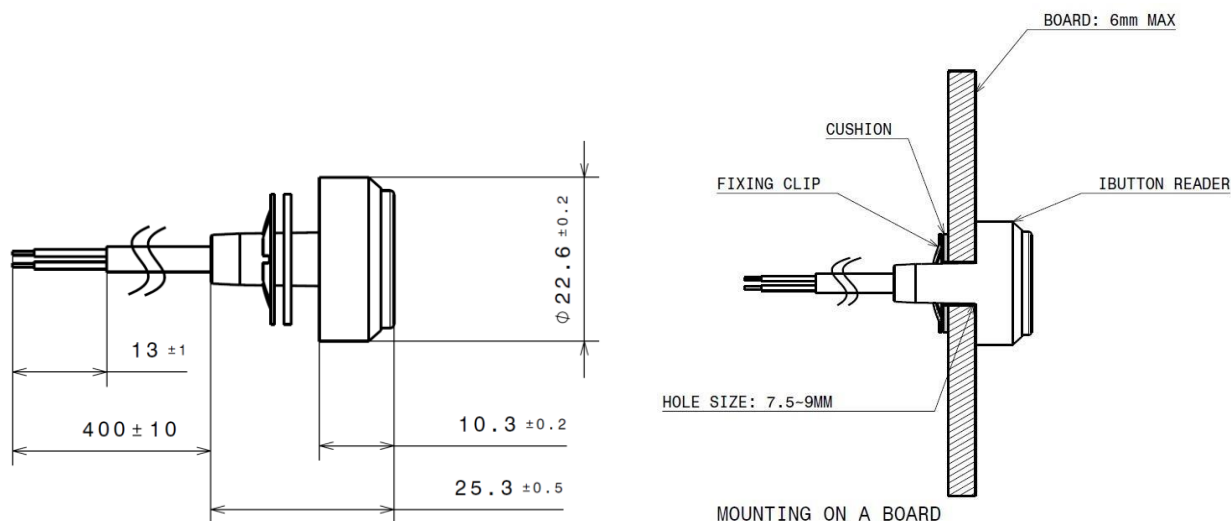
- Compatible with all standard F5 iButtons and magnetic iButtons
- Fixing by stainless steel clip, easy for installation
- Metal body made of steel and brass, all metal parts are chromium-plating
- Standard cable length 40 cm

### Application:

- GPS tracking devices / Driver authorization / Driver identification
- EPOS system / Cash registers
- Access control system

### Diagram and Wiring:

- Blue: 1-Wire data/signal
- Brown wire: 1-Wire GND



### Technical Data

Model	CC9092S-F
Cable	2*0.16mm <sup>2</sup> , 40cm length
Fastening method	Fixing clip mount
Weight	20g
Operating temperature	Min: -30 °C, Max: +85 °C
Storage temperature	Min: -40 °C, Max: +85 °C